

SP-350K-USH

SP Series String Inverter

More power generation

- Max. efficiency 99%, CEC efficiency 98.5%
- 12MPPTs for tracking maximum PV power
- Supports bifacial PV modules with max. PV current 22.5A

Low system cost

- Up to 24(28/32 optional) PV strings
- Support aluminum cable access, saving cable costs
- Support PLC communication, save communication cable

High reliability

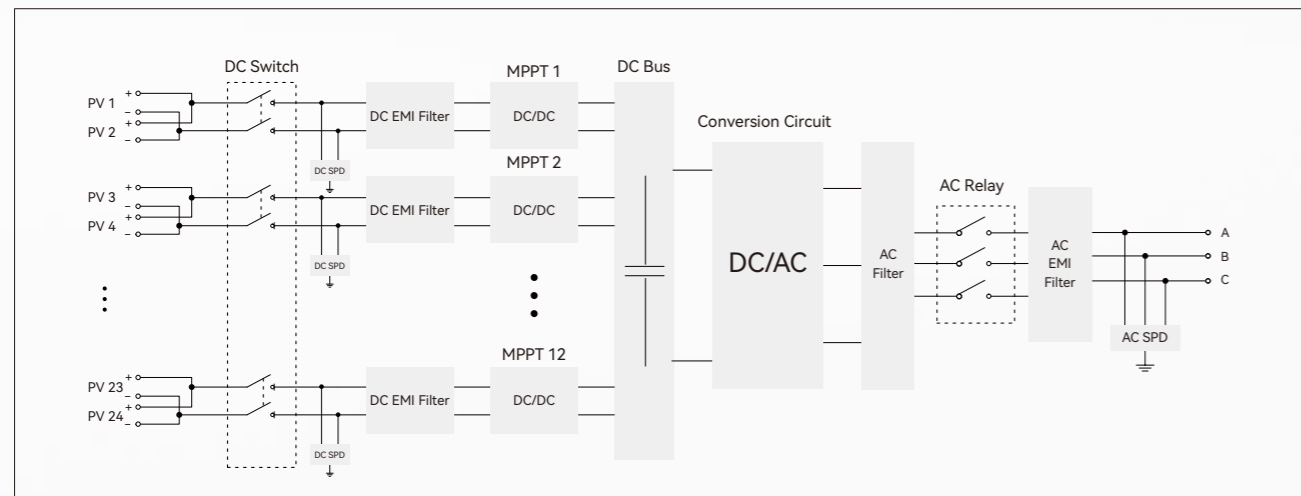
- NEMA 4X high protection design
- Integrated string monitoring function
- Standard connection terminal for quick installation

Grid friendly

- LVRT and HVRT function
- Active & Reactive power control



Circuit Diagram



Model	SP-350K-USH
Input (DC)	
Max. PV input voltage	1500V
MPPT Max. input current	45A*12
Rated input voltage	1080V
MPP voltage range	500~1500V
MPP voltage range for nominal power	880~1300V
Number of MPPT trackers	12
Max. number of PV strings	24(Optional:28/32)
Output (AC)	
Rated output power	352kW@30°C, 320kW@40°C, 295kW@50°C
Max. output power	352kW
Rated grid voltage	800V
Grid voltage range	640~920V
Max. output current	254A
Rated grid frequency/range	60Hz/55~65Hz
Harmonics (THDi)4.	<3% at the nominal power)
Power factor at nominal power/range	>0.99/0.8leading to 0.8lagging
Protection	
DC reverse connection protection	Yes
Overvoltage protection	DC Type II/AC Type II
Leakage current protection	Yes
Grid monitoring	Yes
Insulation monitoring	Yes
Anti-island protection	Yes
Efficiency	
Max. efficiency	99.0%
CEC efficiency	98.5%
General Data	
Isolation method	Transformerless
Self-consuming at night	<3.5W
Protection level	NEMA 4X
Temperature	-30°C ~ +60°C
Relative humidity	0~100%
Cooling mode	Temperature controlled forced air cooling
Max. operating altitude	5000m
Communication port	Standard: PLC, Optional: RS485
Dimensions (W×H×D)	1350×735×350mm
Weight	140kg