

EP-3600/3750-HAN-UD

EP Series 1500V Outdoor Central Inverter



More power generation

- Max. efficiency 98.9%, CEC efficiency 98.5%
- Advanced three-level topology
- Max.DC/AC ratio up to 1.8



Low system cost

- DC 1500V system, low system cost
- Electronic NEMA 4X
- Night SVG function



High reliability

- Outdoor design, suitable for all harsh environments
- Current sensor for each DC input, more reliable for monitoring and control

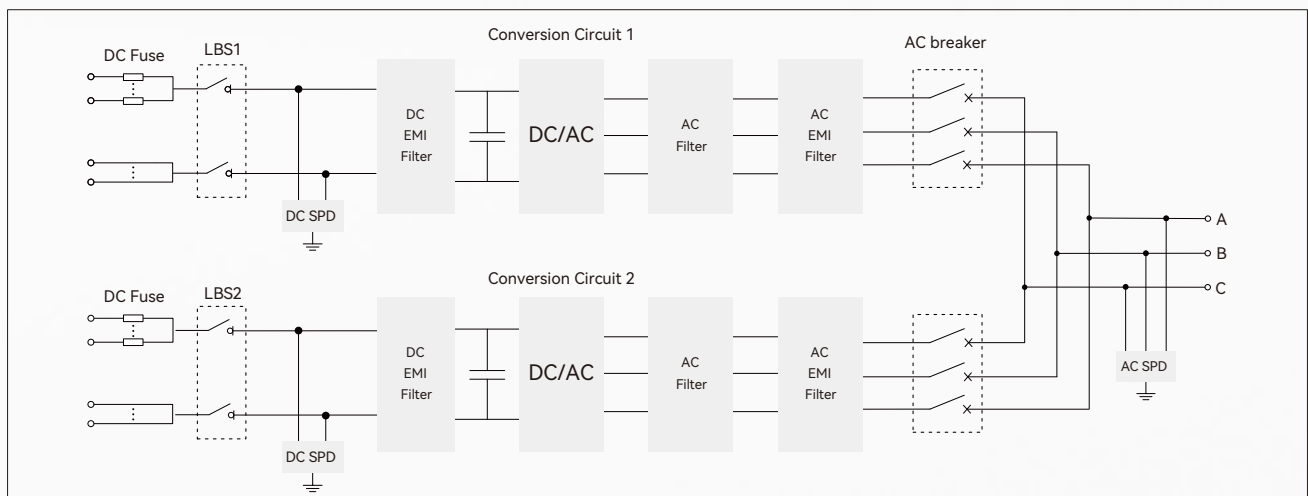


Grid friendly

- LVRT and HVRT function
- Active & reactive power dispatch



Circuit Diagram



Model	EP-3600-HAN-UD	EP-3750-HAN-UD
Input (DC)		
Max. PV input voltage	1500V	
Max. input current	4015A	4049A
MPP voltage range	915~1300V	958~1300V
Number of MPPT trackers	2	
Number of DC inputs	22(400A&315A)/18(500A&550A&630A)	
Output (AC)		
AC output power	3600kVA@40°C, 3240kVA@50°C	3750kVA@40°C, 3375kVA@50°C
Rated grid voltage	630V	660V
Grid voltage range	535~693 V	581~726V
Output current	3300A@40°C, 2969A@50°C	3280A@40°C, 2952A@50°C
Rated grid frequency/range	60Hz/55~65Hz	
Output current harmonic (at nominal power)	<3%	
DC current injection	< 0.5%In	
Power factor at nominal power/range	>0.99/0.8 lagging to 0.8 leading	
Protection		
DC input protection	Load break switch+fuse	
AC output protection	Circuit breaker	
Overvoltage protection	DC Type II/AC Type II	
Leakage current monitoring	Yes	
Ground fault monitoring	Yes	
Grid monitoring	Yes	
Insulation monitoring	Yes	
Overheat protection	Yes	
Night SVG function	Yes	
Anti-PID function	Yes	
Efficiency		
Max. efficiency	98.90%	
CEC efficiency	98.50%	
General Data		
Self-consuming at runtime	< 7500W	
Self-consuming in standby/night	< 300W/ < 200W	
Protection level	NEMA 4X(Electronic)/NEMA 3R(Others)	
Temperature	-30°C~+60°C(>40°C derating)	
Relative humidity	0~100%	
Cooling method	Temperature controlled forced air cooling	
Max.operating altitude	3000m	
Display	LCD	
Communication port	RS485	
Certificates and approvals (more available on request)	CSA C22.2 No.107.1-16, UL1741, IEEE1547.1, IEEE1547, UL1741SB, SRD-V2.0	
Dimensions (W×H×D)	2335×2300×1865mm	
Weight	3000kg	